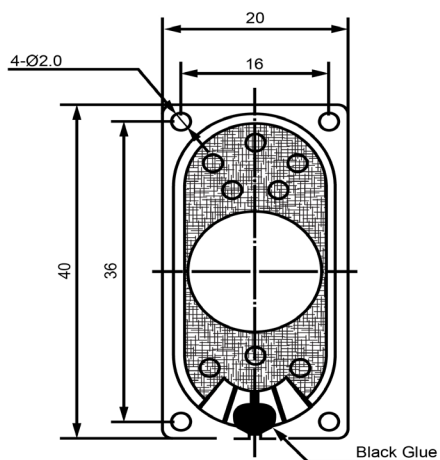
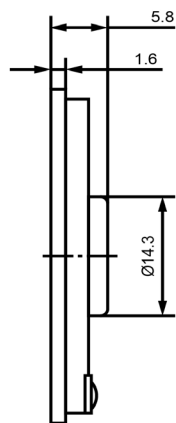


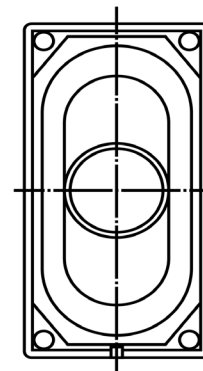
TOP VIEW





SIDE VIEW



BOTTOM VIEW



Specifications			Notes	Revision History						
Description	Value	Unit		Version	Description		Date	Approved		
Shape	Rectangle		1) All dimensions are in mm unless otherwise noted 2) All parts meet RoHS	1	Released from Engineering		2/5/2014	J.S.		
Resonant Frequency	600	(Hz)								
Frequency Range	200 ~ 20,000	(Hz)								
SPL @ 10cm	86	(dBA)								
Impedance	8	(Ohm)								
Cone Material	Cloth									
Nominal Power	2.0	(W)								
Max Power	2.5	(W)								
Mount Type	Frame Mount									
Operating Temperature	- 20 ~ + 60	°C								
Storage Temperature	- 20 ~ + 60	°C								
Weight	7.6	(g)								
 DB UNLIMITED			 DB UNLIMITED			Dynamic Speaker		SC400508-1		