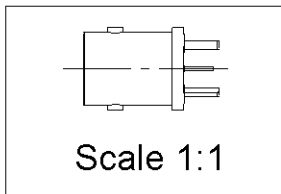
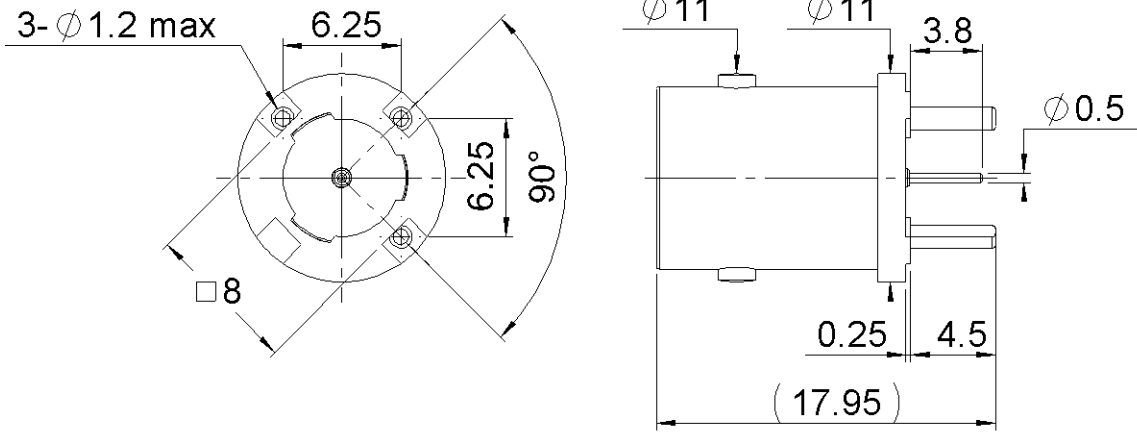
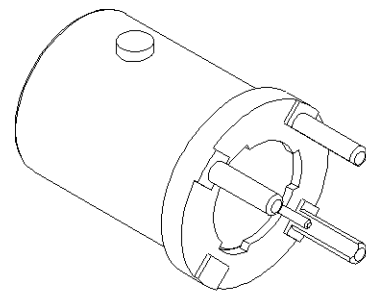
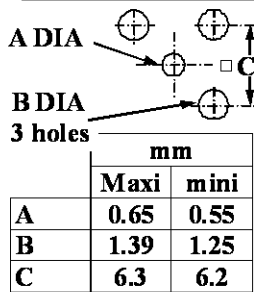


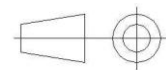
PAGE 1/3	ISSUE 03-03-17B	SERIES BNC 75 HDTV	PART NUMBER R142500740
----------	-----------------	--------------------	------------------------



PANEL CUT OUT



All dimensions are in mm.



COMPONENTS	MATERIALS	PLATING (μm)
Body	ZAMAK	NICKEL .
Center contact	BERYLLIUM COPPER	GOLD OVER NICKEL
Outer contact		
Insulator	PTFE	
Gasket		
Others parts		
-	-	-
-	-	-

PAGE 2/3	ISSUE 03-03-17B	SERIES BNC 75 HDTV	PART NUMBER R142500740
----------	------------------------	---------------------------	-------------------------------

PACKAGING

Standard	Unit	Other
60	Contact us	Contact us

ELECTRICAL CHARACTERISTICS

Impedance		75	Ω
Frequency		DC-12	GHz
VSWR	*1.05	+	0.0350 x F(GHz) Maxi
Insertion loss		0.1*	√F(GHz) dB Maxi
RF leakage		-57**	- F(GHz) dB Maxi
Voltage rating		500	Veff Maxi
Dielectric withstanding voltage		1500	Veff mini
Insulation resistance		5000	MΩ mini

ENVIRONMENTAL

Operating temperature	-65/+165	°C
Hermetic seal	NA	Atm.cm3/s
Panel leakage	NA	

MECHANICAL CHARACTERISTICS

Center contact retention			
Axial force – Mating End		18	N mini
Axial force – Opposite end		10	N mini
Torque		NA	N.cm mini
Recommended torque			
Mating		NA	N.cm
Panel nut		NA	N.cm
Mating life		500	Cycles mini
Weight		3.5800	g

SPECIFICATION

OTHER CHARACTERISTICS

Assembly instruction:**NA**

Others:

- Data speed rate up to 12.5 Gb/s**
- *Coaxial Transmission Line Only**
- **Interface only**

PAGE 3/3	ISSUE 03-03-17B	SERIES BNC 75 HDTV	PART NUMBER R142500740
----------	-----------------	--------------------	------------------------

